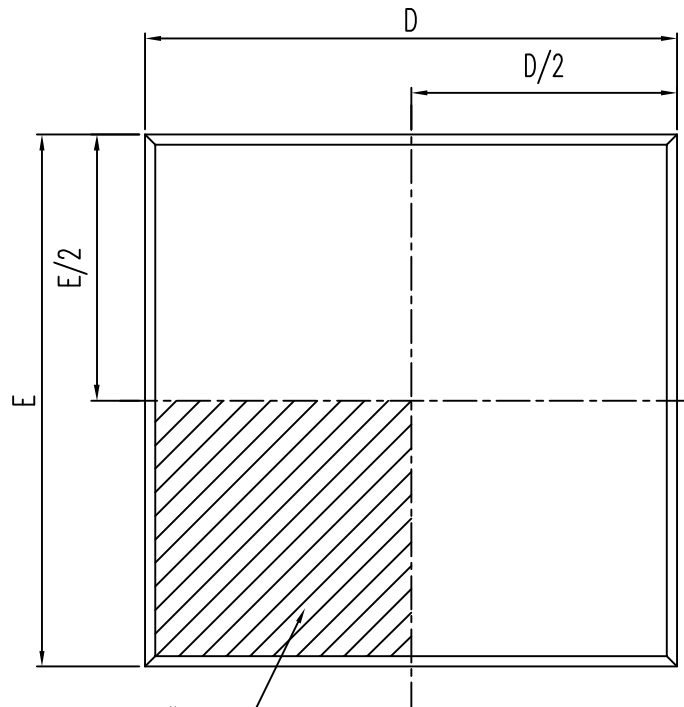
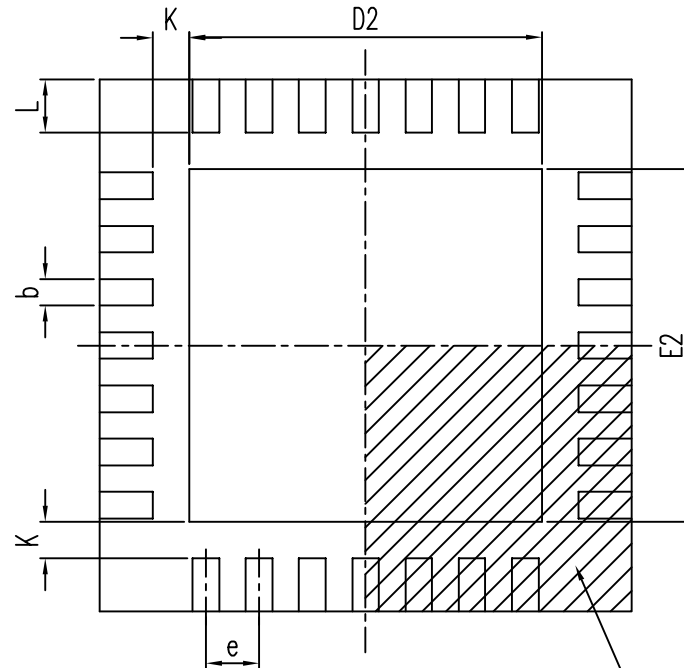


REV.	DESCRIPTION	BY	DATE
ORIG.	DRAWING ISSUE	SANDY CHEN	05.22.2014

TOP VIEW



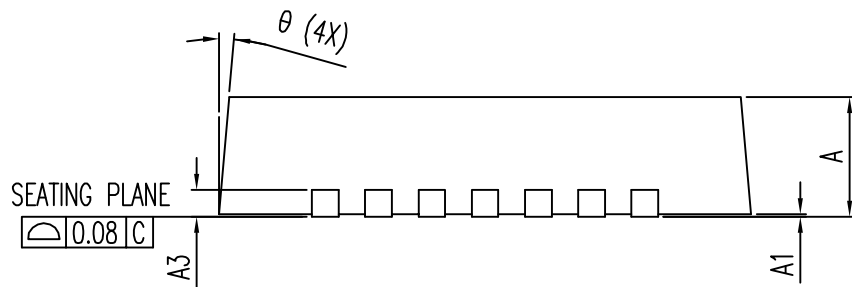
BOTTOM VIEW



SYMBOL	DIMENSION IN MM		
	MIN.	NOM.	MAX.
A	0.80	0.90	1.00
A1	0	0.02	0.05
A3	0.20 REF.		
D	4.00 BASIC		
D2	2.50	2.65	2.80
E	4.00 BASIC		
E2	2.50	2.65	2.80
e	0.40 BASIC		
b	0.15	0.20	0.25
L	0.30	0.40	0.50
K	0.20		
$\theta$	0°		14°
JEDEC			

TERMINAL #1  
INDEX AREA  
(D/2 X E/2)

TERMINAL #1  
INDEX AREA  
(D/2 X E/2)



SIDE VIEW

<b>CWT Chant World Technology Inc.</b>		<input type="checkbox"/>	
TITLE VQFN 28L PACKAGE OUTLINE BODY SIZE : 4 X 4 MM		XX.XXXX ±0.005 XX.XXX ±0.035 XX.XX ±0.05 XX.X ±0.1 XX. ±0.2	ANGULAR ± ROUGHNESS ✓ SCALE 25 : 1
DESIGNED	SANDY CHEN 05.22.2014	UNIT	Q'TY
CHECKED	SANDY CHEN 05.22.2014	FILE NAME : VQFN28L(4x4x0.85) A3	
APPROVED	SANDY CHEN 05.22.2014	DWG. NO.: CW-PS-007A	